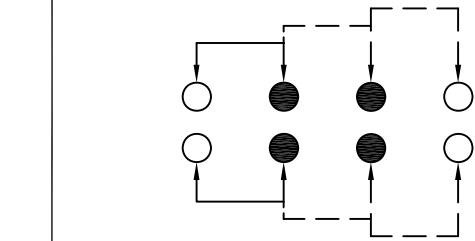
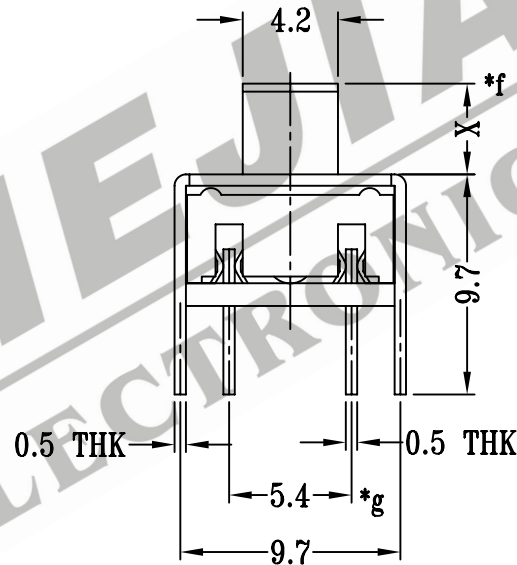
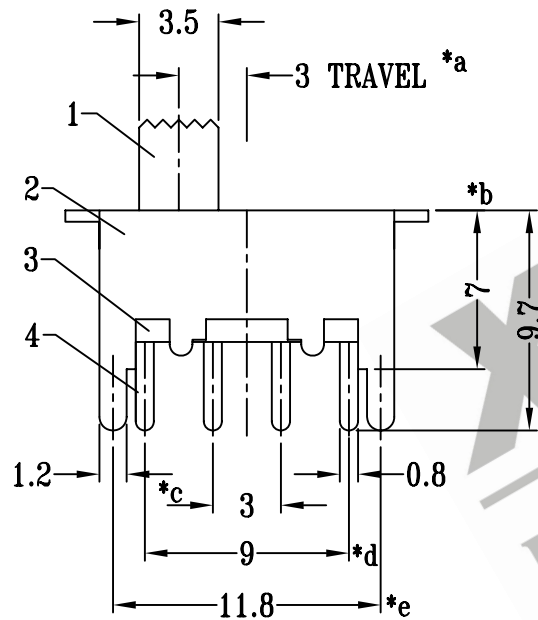
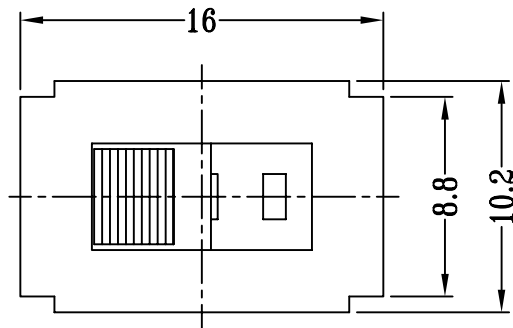
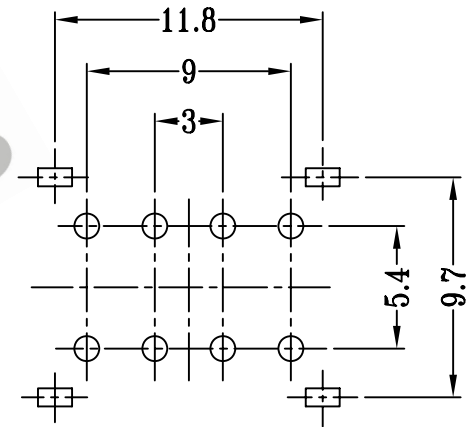


CAD FILE:



SCHEMATIC (NON-SHORTING)



P.C.B LAYOUT

注:带"\*"表示关键尺寸(7个)

NO.	PARTS	MATERIALS	Q'TY	FINISH	TOLERANCE UNLESS SPECIFIED		SHENZHEN XIEJIA ELECTRONICS CO.,LTD.							
8					WITHIN: 1.5±0.1mm OVER : 1.5±0.2mm		ISSUE		DATE		DESCRIPTIONS OF REVISION		APPD.	
7	STEEL BALL	STEEL	1	NATURAL										
6	SPRING	STEEL WIRE	1	TEMPER	TITLE : VERTICAL SLIDE SWITCH		UNIT : mm		DRWG NO.: XJ-DR-SS23F23-00					
5	CONTACT CLIP	PBS STRIP	2	Ag PLATED										
4	TERMINAL	BRASS STRIP	8	Ag PLATED OVER Ni PLATED	MODEL: SS-23F23		SCALE: 3:1		DWN. ZHOUYU		2005-5-29			
3	BASE	PHENOLIC RESIN	1	NATURAL							CHK'D FANGYING		2005-5-29	
2	FRAME	STEEL STRIP	1	Ni PLATED	ALL MATERIALS MUST BE COMPLIANT TO ROHS				APPD. KANGXINAN		2005-5-29			
1	KNOB	POM	1	BLACK										